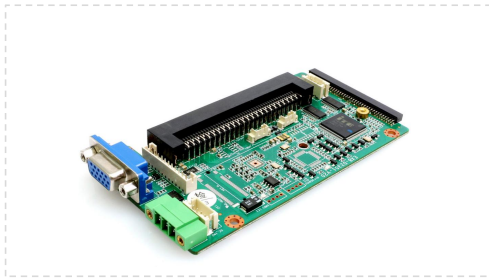


# EXB-D2351-V20

EXB Module with VGA

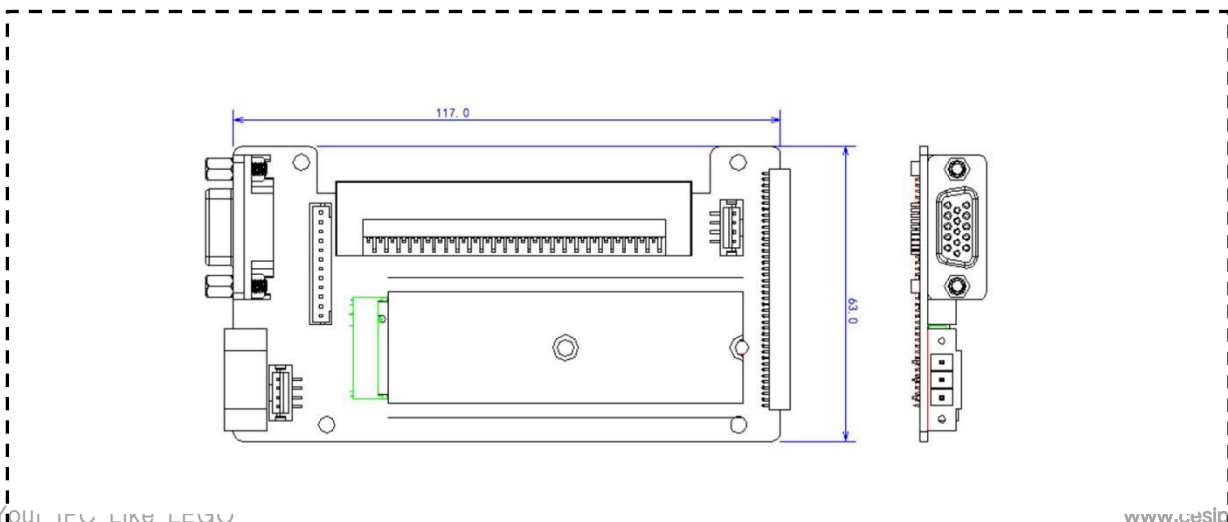


- ◆ LEGO Mode Technology
- ◆ 1 VGA,1 Power Interface
- ◆ Support M. 2

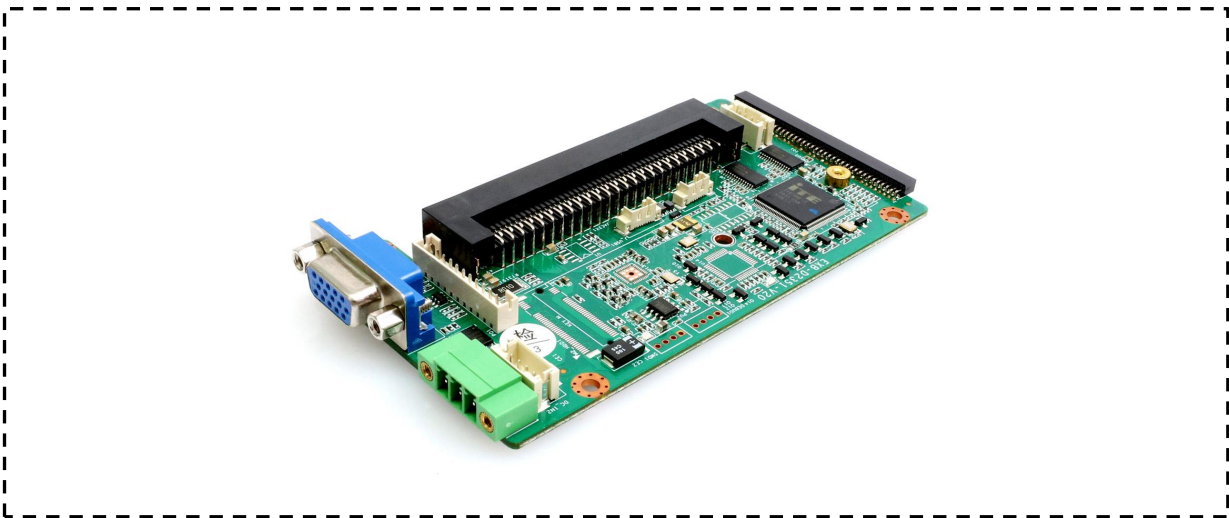
## ► Specifications

Parameter	Description
Input Interface	1 VGA,1 Power Interface
Profile	L200
Reserved functions	2xUSB
Expansion	Serial Ports, GPIO (IO: 8786)
COB Matching	COB-D2212, COB-D21C6
Power Supply	5V DC from Motherboard Pin
Power Consumption	< 1W (typical)
Operating Temperature	-10°C to +60°C
Storage Temperature	-20°C to +70°C
Dimensions	117 x 63mm
Mounting Method	Screw Holes
Compatible Motherboards	CES-1602, CES-1902, CES-1201, CES-1701

## ► Dimensions



► Image



► Ordering Information

Model	Part Number
EXB-D2351-V20	C4.01.09.224

► Compatible List

Model No.	EXB-D2351-V20
EPC-10XA	✓
EPC-20XA	✓
UPC-20XA	✓
EPC-S10X2A	✓
EPC-S12X2A	✓
UTC-S10X2A	✓
UTC-S12X2A	✓