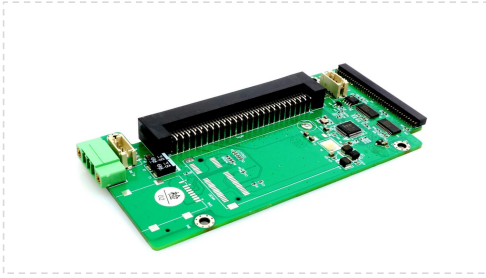


EXB-D22C1-V10

EXB Module with 4G

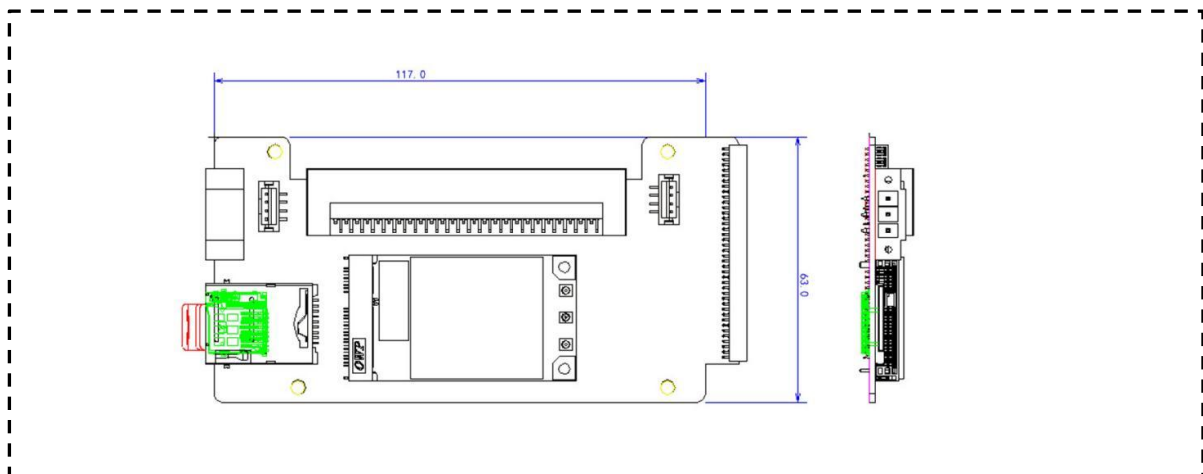


- ◆ LEGO Mode Technology
- ◆ 4G function expansion board

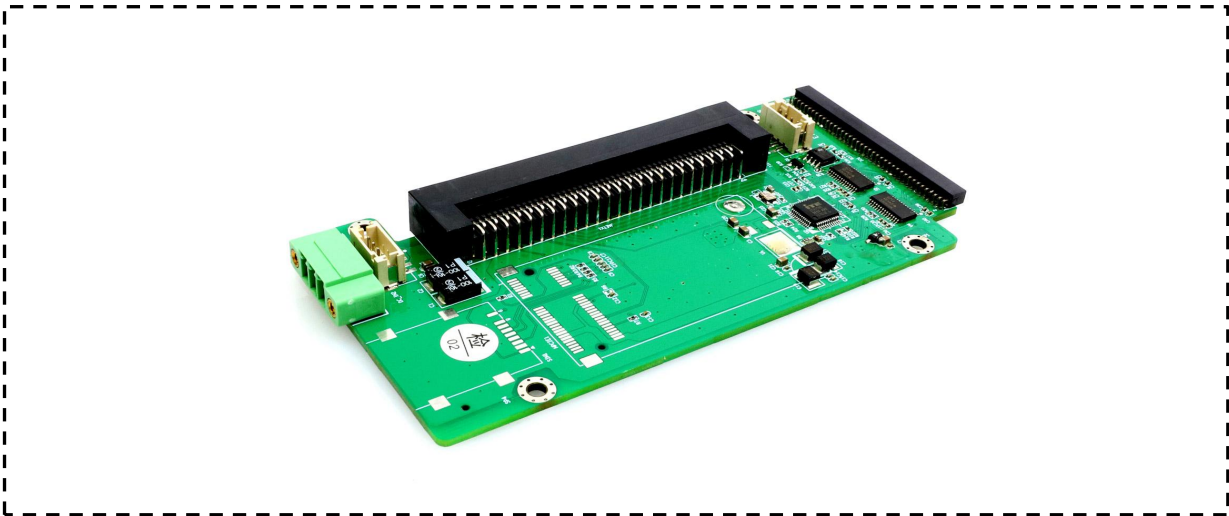
► Specifications

Parameter	Description
Input Interface	4 Serial Ports
Profile	L200, L300
Reserved functions	/
COB Matching	COB-D22C1
Power Supply	5V DC from Motherboard Pin
Power Consumption	< 1W (typical)
Operating Temperature	-10°C to +60°C
Storage Temperature	-20°C to +70°C
Dimensions	117 x 63 mm
Mounting Method	Screw Holes
Compatible Motherboard	CES-1602

► Dimensions



▶ Image



▶ Ordering Information

Model	Part Number
EXB-D22C1-V10	C4.01.09.173

▶ Compatible List

Model No.	
UPC-206F	V
UPC-309C	V