

- Intel® Celeron® Processor J1900
- Intel® Celeron® Processor J6412

- Intel® Core™ 10th Processor
- Intel® Core™ 12th Processor

► Introduction



The EPC-S12X2A series industrial PC showcases a fanless embedded design powered by CESIPC's proprietary LEGO MODE technology. It offers versatile configuration options, equipped with onboard Intel® Celeron or advanced 10th/12th Gen Core™ i3/i5/i7 processors, delivering superior performance. Engineered for reliability, the EPC-S12X2A ensures high functionality and meets rigorous protection standards, making it an optimal solution for mission-critical industrial applications.

- ★ Multi-platform, Multi-tier CPU options
- ★ Board-to-board Design for Stable Performance

- ★ LEGO MODE with Customizable Function Cards
- ★ i-Door Technology for Efficient, Tailored Solutions

► Specifications

System Core

CPU	Celeron J1900	Celeron J6412	i3-10110U	i5-10210U	i7-10510U	i3-1215U	i5-1235U	i7-1250U
Cores	4	4	2	4	4	6	10	10
Threads	4	4	4	8	8	8	12	12
Frequency	2.0-2.4	2.0-2.6	2.1-4.1	1.6-4.2	1.8-4.9	1.2-4.4	1.3-4.4	1.1-4.7
Cache	2MB	1.5MB	4MB	6MB	8MB	10MB	12MB	12MB
TDP	10W	10W	15W	15W	15W	15W	15W	9W
Graphics	HD	UHD	UHD	UHD	UHD	UHD Graphics	Iris Xe	Iris Xe
Memory	4-8GB DDR3L	4-16GB DDR4	4-32GB DDR4			8-32GB DDR5		
Storage	1 x mSATA SSD		1 x mSATA/ 1 x M.2 SSD			2 x M.2 SSD		

Power Supply

DC Input	1 × 3-pin Pluggable Terminal Block for 12V DC 9-36V DC Optional
Power Button	1x ATX Power On/Off Button
Booting	1x AT/ATX Mode Switch (Internal settings)

Wireless Communication

Wi-Fi	Intel N6235 300Mbps, 802.11a/b/g/n, 2.4G / 5G
Wireless Network	4G LTE Full Netcom Module



- Intel® Celeron® Processor J1900
- Intel® Celeron® Processor J6412

- Intel® Core™ 10th Processor
- Intel® Core™ 12th Processor

I / O Ports

CPU	Celeron J1900	Celeron J6412	i3-10110U	i5-10210U	i7-10510U	i3-1215U	i5-1235U	i7-1250U
USB 2.0/ Type A	5	4	2	2	2	2	2	2
USB 3.0/ Type A	1	2	4	4	4	4	4	4
RS232/ DB9	2	2	2	2	2	2	2	2
RS485/ DB9	1	1	1	1	1	1	1	1
VGA	1	1	1	1	1	1	1	1
HDMI	1	1	1	1	1	1	1	1
Ethernet	2 x Intel I210	2 x Intel I210	2 x Intel I210	2 x Intel I210	2 x Intel I210	2 x Intel I210	2 x Intel I210	2 x Intel I210
Audio	3.5mm TRRS	3.5mm TRRS	3.5mm TRRS	3.5mm TRRS	3.5mm TRRS	3.5mm TRRS	3.5mm TRRS	3.5mm TRRS

Display

LCD Size	12 inch Panel Size
Resolution	1024 x 768 / 4:3
Brightness (cd/m ²)	300
Contrast Ratio	500 : 1
Backlight LED Life Time	50,000 hrs (LED Backlight)

Touch Panel

Touchscreen Type	Projected Capacitive Touch Resistive 5-wire (Optional)
------------------	---

Mechanical

Dimension	299.0(W)×237.5(D)×74.6(H)mm
Cutout Size	277.9×222.7mm
Weight	2.91 KG G.W.
Material	6063 High-Strength Aluminum Alloy
Mechanical	Aluminum Extrusion + Sheet Metal
Construction	Structure
Mount	Wall Mount / VESA Mount
Clear CMOS Switch	1x Clear CMOS Switch

Environmental

Protection	Front Panel IP65 Compliant
Operating Temperature	0~50°C (-40~70°C Optional)
Storage Temperature	-10~60°C
Relative Humidity	10%~90% , Non-condensing
EMC	CE, FCC (According to EN 55032 & EN 55035)
Factory	EN IEC 61000-3-2
ODM	ISO9001: 2015
MTBF	BIOS / Boot on LOGO / OEM 60,000 Hours

OS

Windows	Windows 10 / Windows 11 Note: Celeron J1900 can support Windows 7
Linux	Ubuntu 16.04 / 18.04 / 20.04 / 22.04

CESIPC®

科拉德计算机
Build Your IPC Like LEGO

EPC-S12X2A



- Intel® Celeron® Processor J1900
- Intel® Celeron® Processor J6412

- Intel® Core™ 10th Processor
- Intel® Core™ 12th Processor

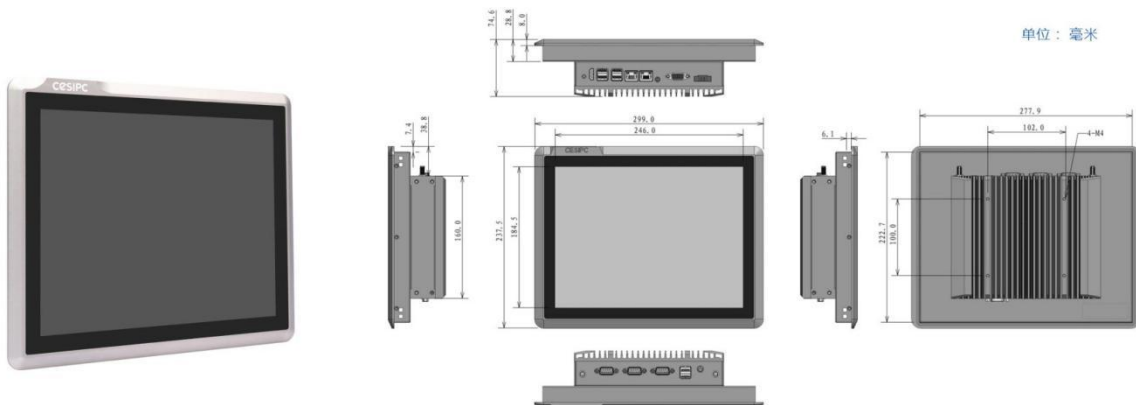
▶ Product Images



▶ Applications

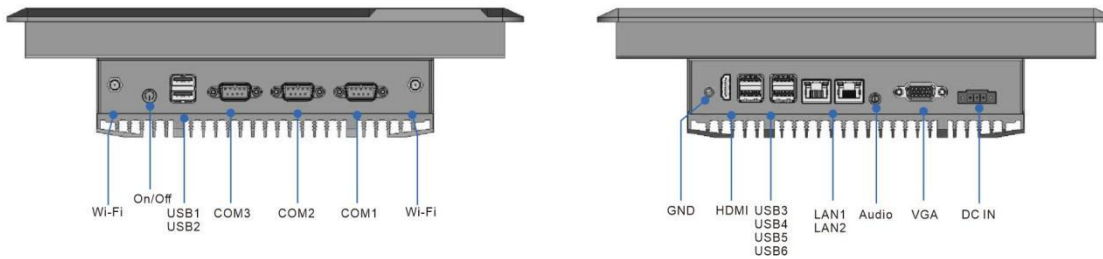


▶ Product Sizes



- Intel® Celeron® Processor J1900
- Intel® Core™ 10th Processor
- Intel® Celeron® Processor J6412
- Intel® Core™ 12th Processor

▶ I/O



▶ Product Selection

NO.	Model	Product Part Number	Describe Infomation	Standard Memory	Standard Storage
1	EPC-S1262A		Intel® Celeron® Processor J1900 Processor	4GB	SSD 128GB
2	EPC-S1272A		Intel® Celeron® Processor J6412 Processor	8GB	SSD 256GB
3	EPC-S1292A		Intel® Core™ i3-10110U Processor	8GB	SSD 256GB
4	EPC-S1292A		Intel® Core™ i5-10210U Processor	8GB	SSD 256GB
5	EPC-S1292A		Intel® Core™ i7-10510U Processor	8GB	SSD 256GB
6	EPC-S1222A		Intel® Core™ i3-1215U Processor	8GB	SSD 256GB
7	EPC-S1222A		Intel® Core™ i5-1235U Processor	8GB	SSD 256GB
8	EPC-S1222A		Intel® Core™ i7-1250U Processor	8GB	SSD 256GB

Note: CPU model may vary. Contact sales for details